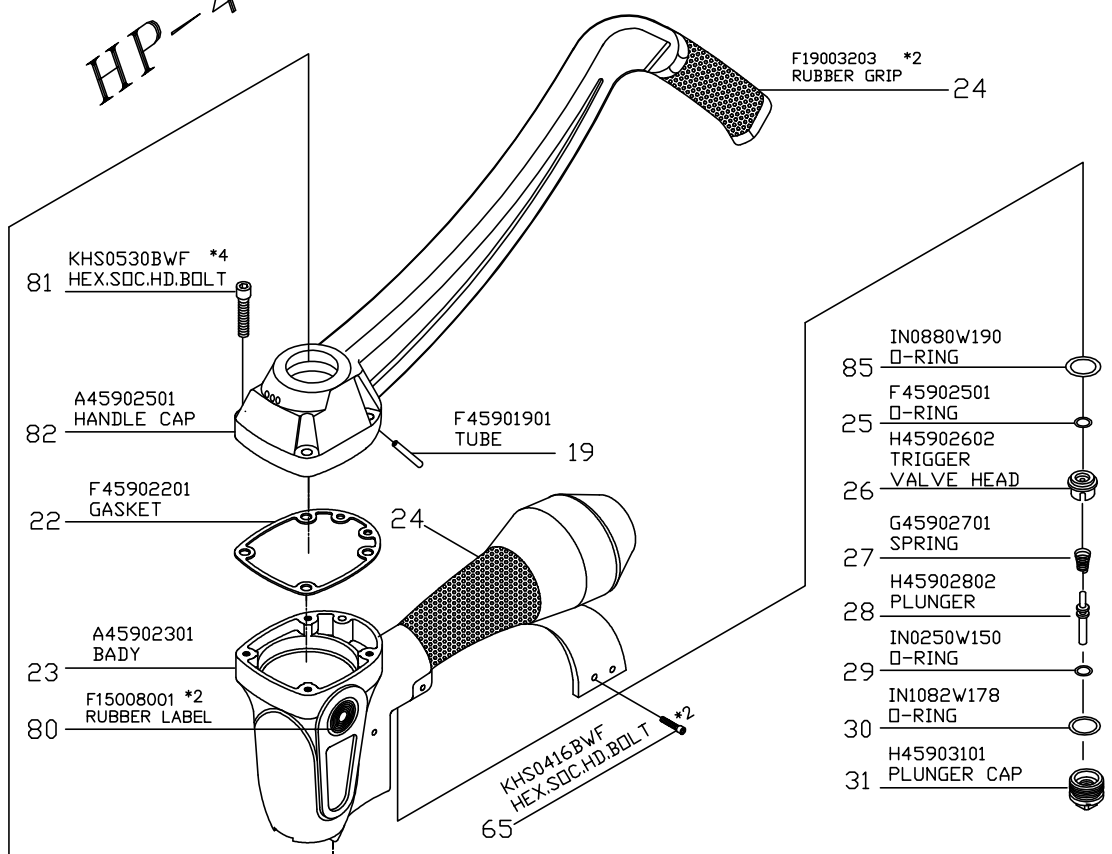


# HP-4590M

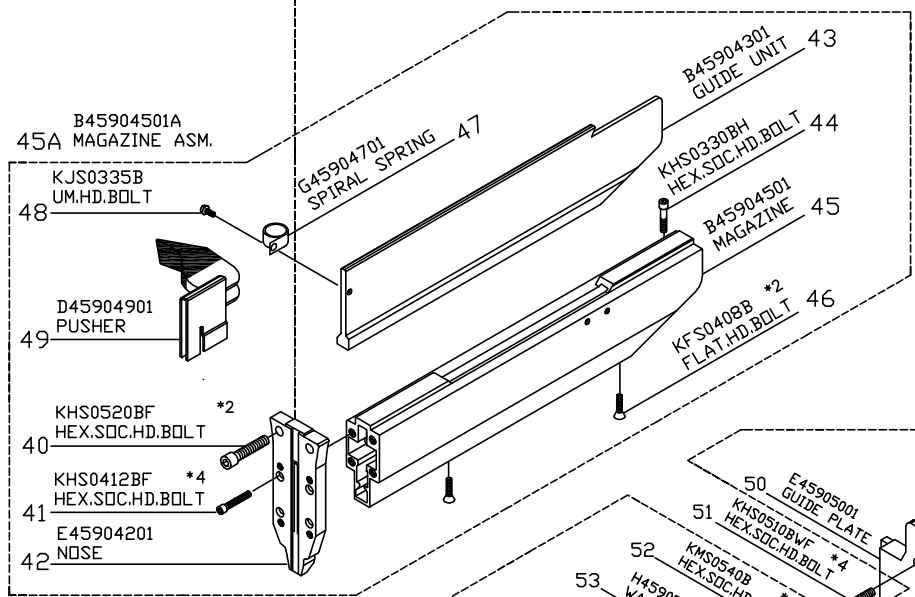
- 1 F45900101 HAMMER FACE
- 2 F45900201 SEAL
- 3 C45900301 PLUNGER
- 84 KFW051616 FLAT WASHER
- 4 F45900401 SEAL
- 5 KHS0416B HEX.SOC.HD.BOLT
- 6 G45900601 SPRING
- 7 D45900701 WASHER
- 8 IN1690W270 O-RING
- 9 H45900901 PISTON HEAD VALVE
- 10 IN3500W210 O-RING
- 11 F15001101 SEAL
- 12 IN2657W353 O-RING
- 16A CH45901601 DRIVER ASSEMBLY
- 14 C45901401 PISTON
- 15 H45901501 DRIVER
- 17 F15001701 COLLAR
- 18 C45901801 CYLINDER
- 10 IN3500W210 O-RING
- 83 D15005201 SUPPORT PLATE
- 20 F15002001 BUMPER
- 21 D45902101 SET PLATE



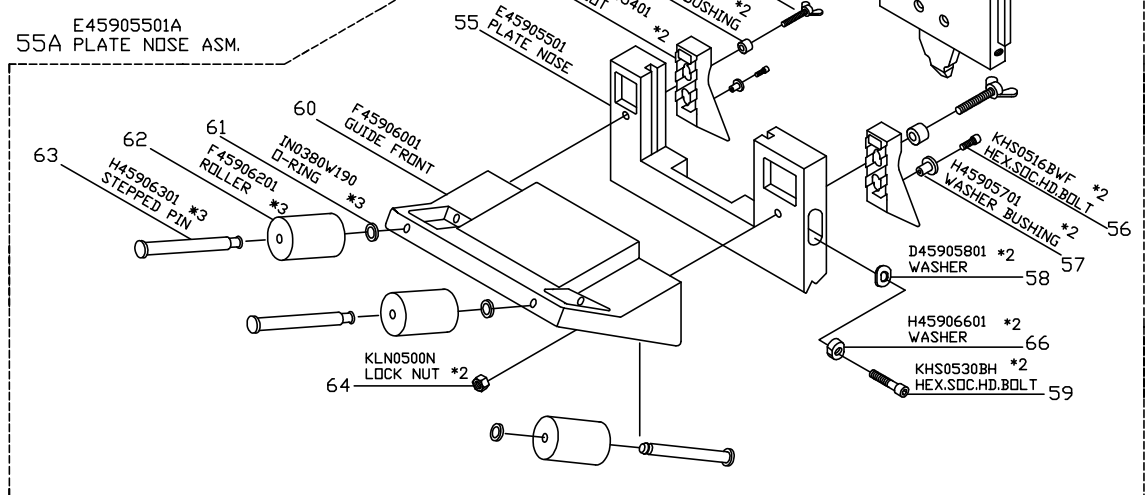
- F19003203 \*2 RUBBER GRIP 24

- 81 KHS0530BWF \*4 HEX.SOC.HD.BOLT
- 82 A45902501 HANDLE CAP
- 22 F45902201 GASKET
- 23 A45902301 BODY
- 80 F15008001 \*2 RUBBER LABEL

- IN0880W190 O-RING 85
- F45902501 O-RING 25
- H45902602 TRIGGER HEAD VALVE 26
- G45902701 SPRING 27
- H45902802 PLUNGER 28
- IN0250W150 O-RING 29
- IN1082W178 O-RING 30
- H45903101 PLUNGER CAP 31



- B45904501A 45A MAGAZINE ASM.
- 48 KJS0335B UM.HD.BOLT
- 49 D45904901 PUSHER
- 40 KHS0520BF \*2 HEX.SOC.HD.BOLT
- 41 KHS0412BF \*4 HEX.SOC.HD.BOLT
- 42 E45904201 NOSE
- 43 B45904301 GUIDE UNIT
- 44 KHS0330BH HEX.SOC.HD.BOLT
- 45 B45904501 MAGAZINE
- 46 KFS0408B \*2 FLAT.HD.BOLT



- E45905501A 55A PLATE NOSE ASM.
- 50 E45905501 GUIDE PLATE
- 51 KHS0510BF \*4 HEX.SOC.HD.BOLT
- 52 KHS0540B HEX.SOC.HD.BOLT \*2
- 53 H45905301 WASHER BUSHING \*2
- 54 F45905401 FOOT \*2
- 55 E45905501 PLATE NOSE
- 60 F45906001 GUIDE FRONT
- 61 IN0380W190 O-RING \*3
- 62 F45906301 STEPPED PIN \*3
- 63 H45906301 STEPPED PIN \*3
- 64 KLN0500N LOCK NUT \*2

- KHS0516BWF \*2 HEX.SOC.HD.BOLT 56
- H45905701 WASHER BUSHING \*2 57
- D45905801 \*2 WASHER 58
- H45906601 \*2 WASHER 66
- KHS0530BH \*2 HEX.SOC.HD.BOLT 59